

POWERCLICK PROJECT REPORT



BASF Research Centre trusts HALFEN as a standardized support system

In March 2019, BASF opened a pioneering Research Centre for catalyst and process engineering at its Verbund Site at Ludwigshafen, Germany. To accommodate the project, the more than 60-year-old building was completely stripped and subsequently up-graded. The first of a total of 3 floors planned for the project is already fitted with 12 research stations with related infrastructure and service utilities.

For project manager Dr. Martin Dieterle, emphasis was on the specific development in process optimization, the increased benefit of digital technology to improve visualization of research results, and the modular design of the fully automated test plant.

Senior technicians Peter Bressler and Axel Wirth coordinated and were responsible for the technical planning as well as the installation of the test facilities, including coordination of other facilities involved in this pilot project. "For me, the modular design of the test facilities required an equally modular design of the necessary infrastructure." Peter Bressler remarked during a tour of the facility. Bressler and Wirth have many years of experience, especially in pipe support fixtures. Both have been with BASF for more than 20 years.



HALFEN Powerclick used as a standardized support system for all utility systems in BASF's new Research Centre M400.

POWERCLICK PROJECT REPORT

Peter Bressler (BASF) has had contact with HALFEN, manufacturer and supplier of the Powerclick modular pipe support system for 20 years now. He still recalls when the HALFEN Powerclick system was developed for BASF as a viable alternative for a secondary steel support system. HALFEN Powerclick's modular design has been valued since the year 2000 for its diverse, possible range of applications and fluids, the high load transfer as well as the quick availability of components made possible with the on-site storage at Ludwigshafen.

Peter Bressler and Axel Wirth mutually agreed, during planning for the various facilities involved in the new Research Centre, to focus on quality and efficiency, while not losing sight of costs and the time schedule. Considerable cost and time savings were possible due to the standardized support concept behind the HALFEN Powerclick system. Normally, every Building Service field (HVAC, MEP etc.) has its own support concept which cannot always be used as efficiently as required when combined with other brackets and existing infrastructure. Real world applications often entail numerous changes in support positions and of fluids, all of which are easily solvable when using the HALFEN Powerclick system.

The modular Powerclick concept also allows pipe supports to be moved or allows additional connections, for example, of cable racks or trays.



Support for the steam and condensate pipes using HALFEN Powerclick.

POWERCLICK PROJECT REPORT



In the interior section of the Research Centre, smaller, DN 6 to DN 50 pipes were mostly used, which were supported using the Powerclick 41 System. In the exterior sections the Powerclick 63 System was used to support the DN 150 and DN 200 steam and condensate pipe systems, which also run to the 20 metre, high roof of the building.

To-date, HALFEN has supplied around 1,000 metres of channels plus accessories, for example, brackets and connectors, for the project.

Head of Industrial Technology at HALFEN, Carsten Stegmann, is particularly pleased with the use of HALFEN Powerclick in this pilot project and appreciates the numerous years of good collaboration with the BASF team. "This type of project increases the benefits for everyone involved in the project." says Sebastian Hoppe, International Sales Manager at HALFEN, who can envisage developing standard support concepts for further BASF projects.

Thanks to its pre-assembled components and pre-calculated statics, HALFEN Powerclick enables BASF to plan its support systems almost entirely independently, and to use their own fitters for quick and reliable installation.



(left to right) Carsten Stegmann (HALFEN) Peter Bressler and Axel Wirth (BASF), Sebastian Hoppe (HALFEN)

POWERCLICK PROJECT REPORT



©BASF

REFERENCE
BASF M400 LUDWIGSHAFEN

 **BASF**
We create chemistry

POWERCLICK PROJECT REPORT



REFERENCE
BASF M400 LUDWIGSHAFEN



©BASF

POWERCLICK PROJECT REPORT



REFERENCE
BASF M400 LUDWIGSHAFEN

POWERCLICK PROJECT REPORT



REFERENCE
BASF M400 LUDWIGSHAFEN



©BASF

POWERCLICK PROJECT REPORT



REFERENCE
BASF M400 LUDWIGSHAFEN



©BASF

POWERCLICK PROJECT REPORT

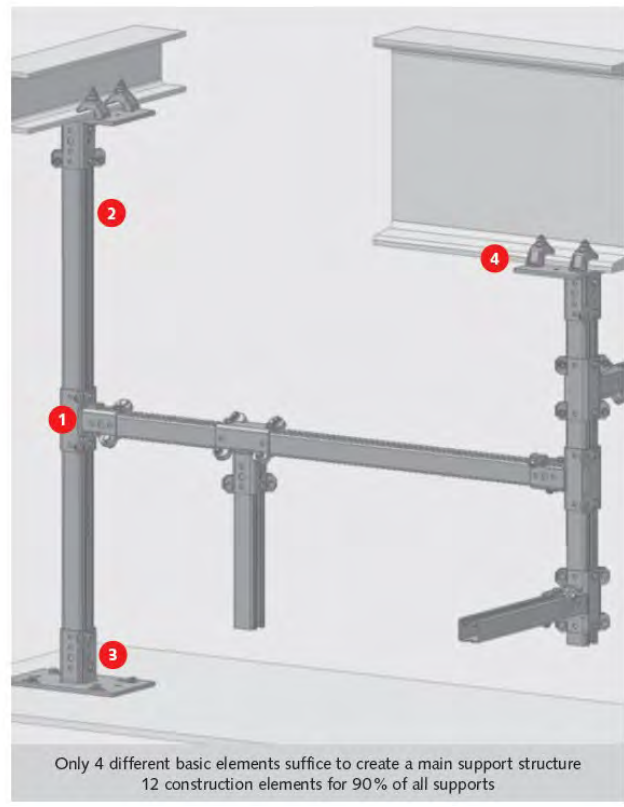
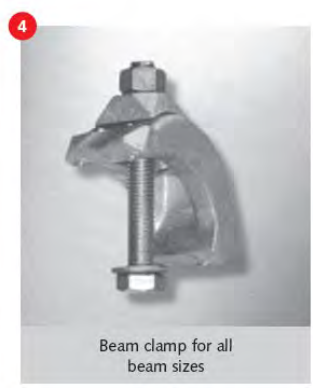
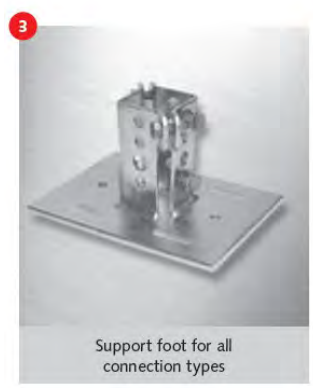


REFERENCE
BASF M400 LUDWIGSHAFEN

 **BASF**
We create chemistry

©BASF

HALFEN POWERCLICK MODULAR PIPE SUPPORT SYSTEMS



Imagine. Model. Make.